

# NVE

HEAVY-DUTY  
**607**<sub>V</sub>

# Challenger

## Heavy-Duty Vacuum Pump

Distributed by:

**TSI**  
TANK SERVICES, INC.

Superior Cooling for Extended Use in Severe Conditions | Fan Cooled | Ideal for Trailer Mounting

*Side Mounted 4-Way Valve for Easy Access!*

### National Vacuum Equipment

P.O. Box 685  
Traverse City, MI 49685 USA  
800-253-5500 | [sales@natvac.com](mailto:sales@natvac.com)



### TSI Tank Services Inc.

PO Box 8136  
Cranston, RI 02920 USA  
866-720-4999 | [tankservicesinc.com](http://tankservicesinc.com)

[natvac.com](http://natvac.com)

# 607 Challenger Series - Fan Cooled

Our Challenger Series pumps are designed and built with the customer in mind – resulting in dependable, high performing pumps that are easy to install, operate and service.

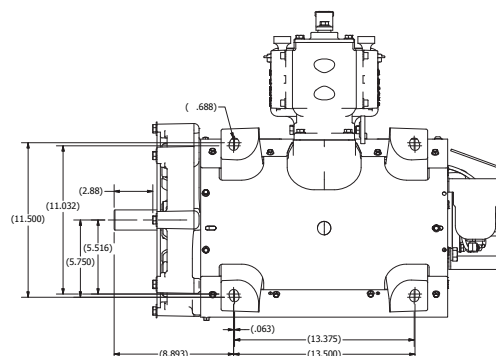
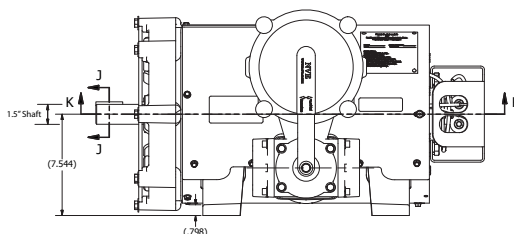
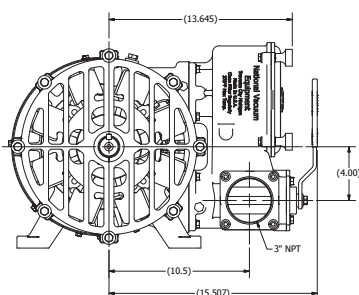
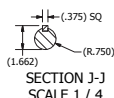
- Side mounted 4-way valve for easy access
- Ideal for trailer mounting
- Available in hydraulic drive
- Superior cooling for extended operations in severe conditions
- Heavy duty roller bearings
- Slotted end plate bolt holes for crash protection
- Precision-pinned end plates
- 4-point oiling system
- Vane wear inspection port
- Exhaust gas temperature gauge
- Diesel flush port
- High-strength ductile iron housing
- **Built and supported in the USA**

## Challenger Series

VACUUM PUMPS & BLOWERS

### 607SV Challenger - Fan Cooled

Dimensions: 22.98" W x 28.91" L x 15.54" H



Maximum  
1500 RPM  
Intermittent  
operation only

RPM		Pressure (PSI)				Free flow	Vacuum (inches of Mercury)					
		20	15	10	5	0	5	10	15	20	25	27
1500	Hp.	34	32	29	27	23	23	22	21	20	19	19
	CFM	282	291	301	331	357	348	338	331	310	282	244
1250	Hp.	29	27	24	23	20	20	19	16	15	14	14
	CFM	229	237	244	269	290	282	275	269	252	229	198
1000	Hp.	25	23	20	18	15	15	14	14	13	12	12
	CFM	178	184	190	209	226	220	214	209	196	178	155

The maximum allowable operating vacuum will vary depending on R.P.M., ambient temperature, altitude and time running. The basic principle to keep in mind is - faster R.P.M., higher air temperature and longer run time all equal more heat in the pump. When installing an NVE 607 we recommend a normal R.P.M. of 1250. Exhaust gas temperatures read on the supplied thermometer **must not** exceed 375 degrees F.

## National Vacuum Equipment

P.O. Box 685  
Traverse City, MI 49685 USA  
800-253-5500 | sales@natvac.com



## TSI Tank Services Inc.

PO Box 8136  
Cranston, RI 02920 USA  
866-720-4999 | tankservicesinc.com

natvac.com